

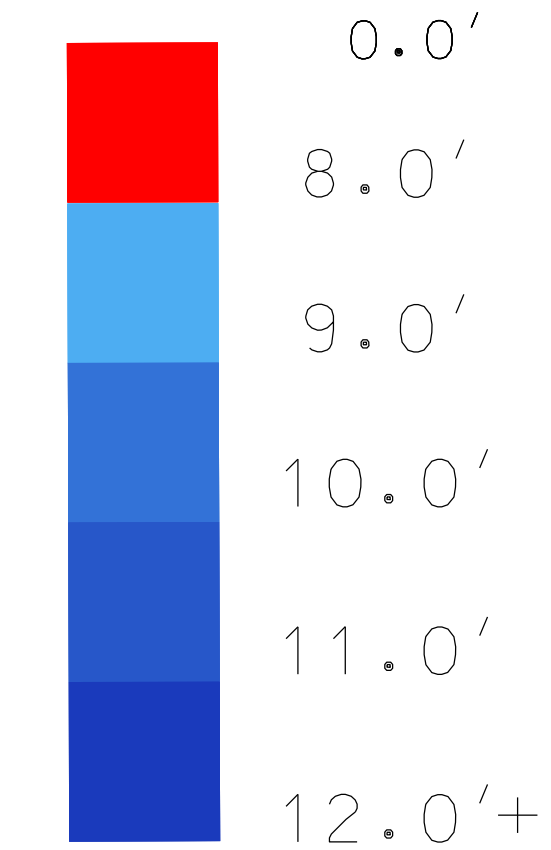
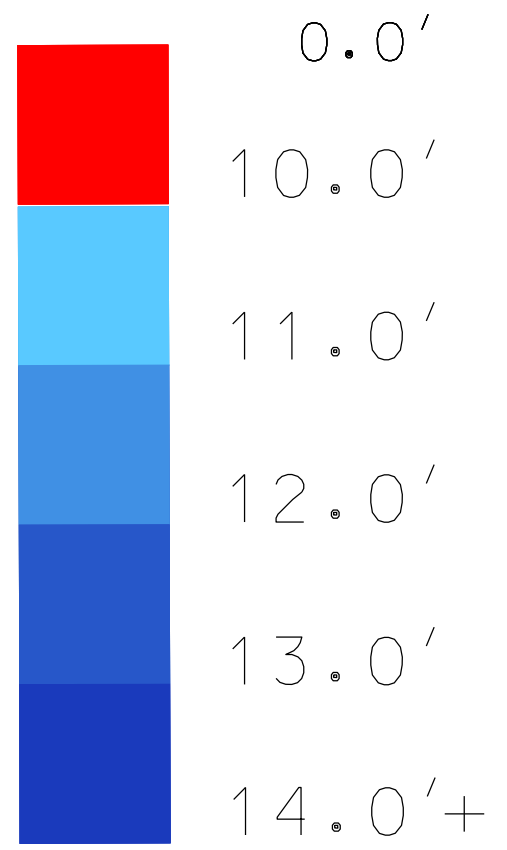
N 120,000

N 120,000

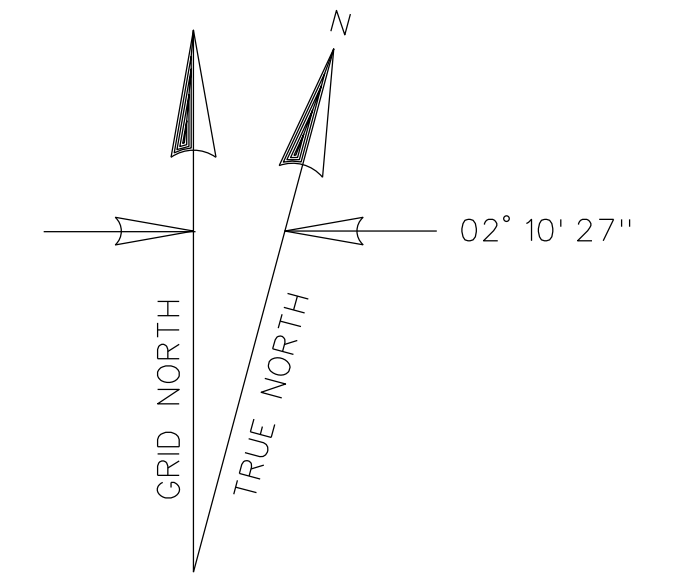
DATE OF PHOTOGRAPHY
21 AUGUST 1991

10' Legend

8' Legend



STATION	NORTH (Y)	EAST (X)
11	117709.43	12474306.29
12	118253.03	12474013.98
13	118859.44	12473794.07
14	119340.36	12473361.61
15	119347.09	12473156.68
16	119267.13	12473154.06
17	119088.50	12473426.69
18	118817.53	12473724.17
19	118220.28	12473940.76
20	117671.55	12474235.83
21	117690.49	12474271.06
22	118236.65	12473977.37
23	118838.49	12473759.12
24	119300.94	12473343.27
25	119307.11	12473155.37
26	119377.62	12472226.99
27	119297.66	12472224.37
28	119337.64	12472225.68



C/S 30+00.4

E 12,473,000

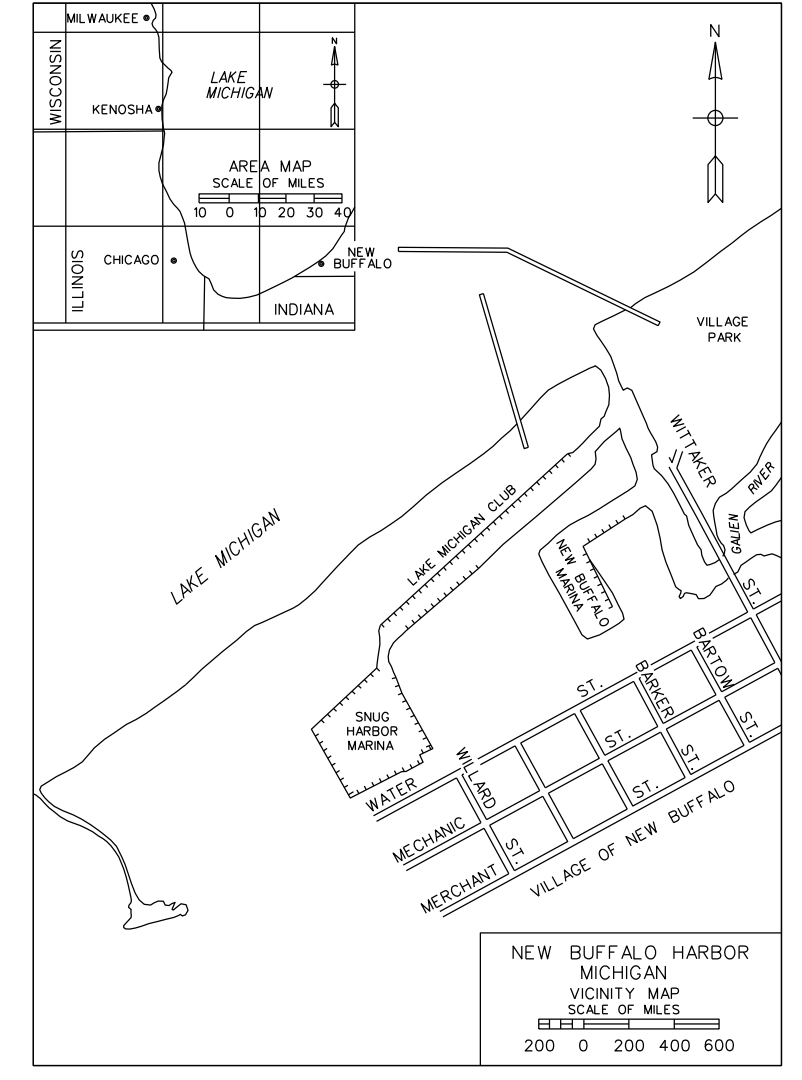
E 12,474,000

E 12,475,000

N 119,000

N 119,000

LAKE MICHIGAN



THE INFORMATION DEPICTED ON THIS MAP REPRESENTS THE RESULTS OF SURVEYS MADE ON THE DATES INDICATED AND CAN ONLY BE CONSIDERED AS INDICATING THE GENERAL CONDITIONS PRESENT AT THAT TIME.

ALL SOUNDINGS ARE REFERENCED TO IGLD 1985 FOR LAKE MICHIGAN, ELEVATION 577.5 FT. ABOVE MEAN SEA LEVEL AT RIMOUSKI, QUEBEC.

HORIZONTAL GRID DATUM BASED ON MICHIGAN STATE PLANE COORDINATE SYSTEM LAMBERT PROJECTION, SOUTH ZONE (2113), NORTH AMERICAN DATUM 1983, U.S. FOOT.

VERTICAL WATER LEVEL READINGS WERE TAKEN FROM A FIXED GAGE MARK ALONG THE SHEET STEEL WALL NEAR CROSS SECTION +4+50 IN NEW BUFFALO HARBOR, MI.

SCALE: 1" = 100'

N 118,000

N 118,000

PROJECT DEPTH 10 FT.
PROJECT DEPTH 8 FT.

CHANNEL LIMITS SHOWN THUS: ---
10 FT. CONTOUR SHOWN THUS: - - -
8 FT. CONTOUR SHOWN THUS: - · - · -

SURVEYED ON: 6 MAY 2016
POSITIONING METHOD: DGPS, USING C.G. BEACON CORRECTIONS
VESSEL: LAUNCH 3033

E 12,472,000

E 12,473,000

E 12,474,000

E 12,475,000

NO.	DATE	REVISION	BY

U.S. ARMY ENGINEER DISTRICT, DETROIT
CORPS OF ENGINEERS
DETROIT, MICHIGAN

NEW BUFFALO HARBOR, MICHIGAN
CONDITION OF CHANNEL
MAY 2016
GRAND HAVEN AREA OFFICE

DRAWN BY:	<p align="center">SCALE 1" = 100 FT.</p> <p align="center">SHEET 1 OF 1</p> <p align="right">CADD FILENAME: NBO1016.DGN DRAWING NUMBER</p>
DESIGNED BY:	
CHECKED BY:	
REVIEWED BY:	
SUBMITTED:	APPROVAL RECOMMENDED:
CHEF, PROJ. OPS. SEC.	CHEF, B'S BRANCH
APPROVED:	DATE:
CHEF, CONST. & OPER. DIVISION	P.E.